

D

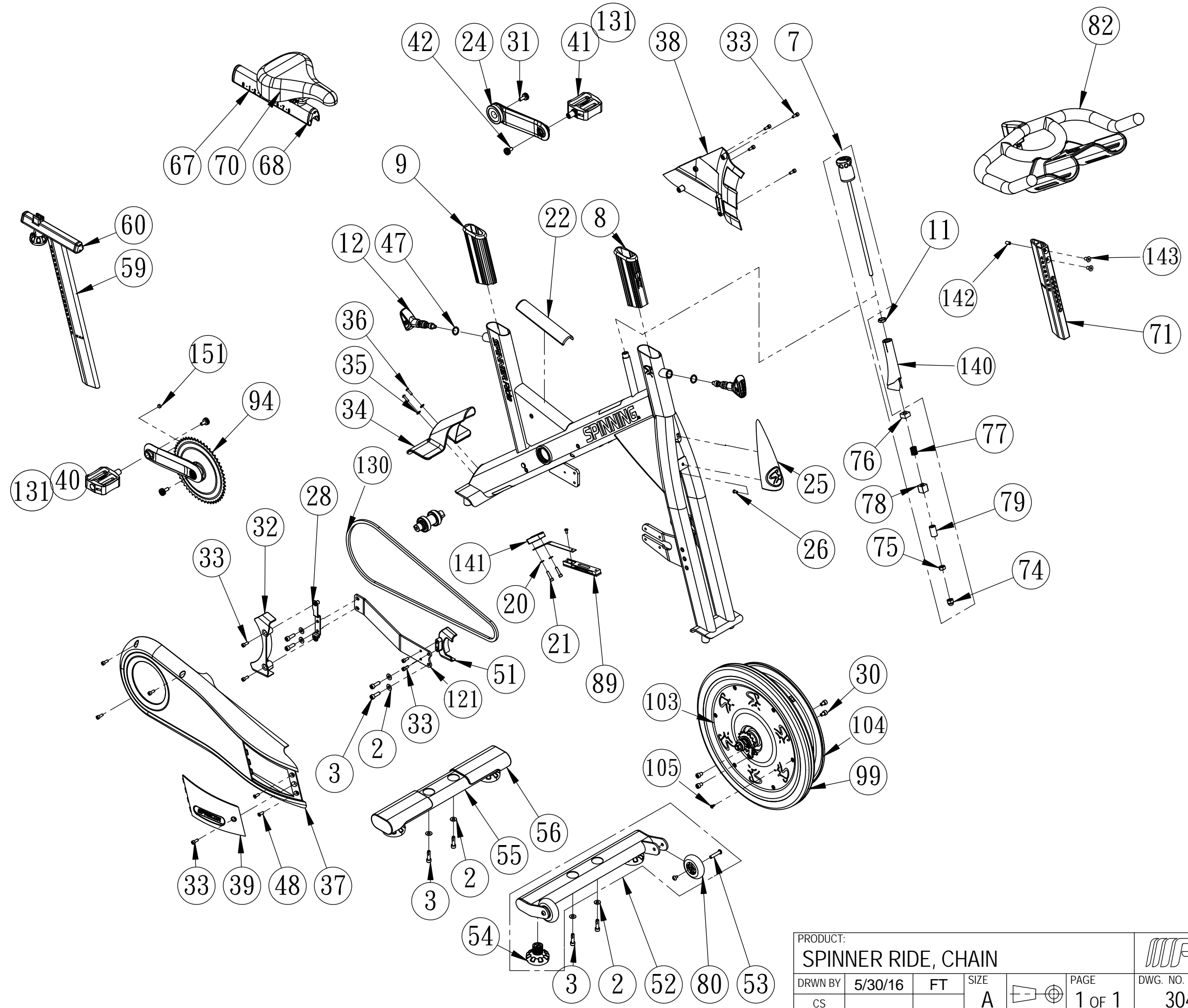
C

B

A

NOTE: WARNING LABEL SHIPS WITH LITERATURE KIT.

4  
3  
2  
1



PRODUCT:						
SPINNER RIDE, CHAIN						
DRWN BY	5/30/16	FT	SIZE	PAGE	DWG. NO.	SUBREV
CS			A	1 OF 1	304248-101	A02

DRAWING TEMPLATE REV. C

Bubble#	OEM Number	Description
2	PPPFT0006033008500	WASHER, D19XD8.5X1.2T, SS304
3	PPP00FT64910080465	HEX BOLT, M8X1.25X20L, SCM435, E-CO
3	PPPFT0064910080352	HEX BOLT, M8X1.25X20L, SCM435
7	PPP00FT39242400000	ADJUST KNOB ASSY
8	PPP00FT39261600000	SLEEVE-HANDLEBAR POST
9	PPP00FT39261601000	SLEEVE-SEAT POST
11	PPPFT0039062404000	NUT, SLEEVE-HB POST, 21X6, SS304
12	PPP00FT39141602000	POP PIN ASSY
17	PPP00FT39062003010	B/B AXLE NUT, E-COAT
20	PPPFT0060330064036	WASHER, D12XD6.4X1.5T, SS304
21	PPPFT0064910060216	HEX BOLT, M6X1.0X25L, SS304
22	PPP00FT39263404000	STEP THROUGH
24	PPPFT3906220000089	CRANK, LEFT, COATING
25	PPP00FT39163400000	FENDER
28	PPPFT0039062851000	FIXED PLATE, RING, FINGERGUARD
30	PPPFT0006491008007	HEX BOLT, M8X1.25X16L, SCM435
31	PPPFT0039062208000	BOLT, CRANK, M8X1.25X20L, SCM435
32	PPP00FT39063452000	REAR FINGERGUARD, ADDITIONAL CLEARA
33	PPPFT0064910060136	BUTTON HEAD SCREW, M6X1.0X16L, SS30
34	PPP00FT39263401000	STRETCH PAD
35	PPPFT0060330055016	WASHER, D13XD5.5DX1T, SS304
36	PPPFT0006591005022	BUTTON HEAD SCREW, M5X0.8X20L, SS30
37	PPP00FT39163402000	CHAIN GUARD (OUTSIDE)-PAINTING
38	PPP00FT39163403000	CHAIN GUARD (INSIDE)
42	PPPFT0039062204000	BOLT, CRANK, M8X1.25X16L, SCM435
47	PPPFT0039061605000	WASHER, D24.5XD18.5X1.2T, SS304
51	PPP00FT39062804200	FIXED,ADJUST BOLT,FLYWHEEL, ED COAT
52	PPP00FT39241700000	FRONT LEG ASSY
53	PPPFT0039061705000	BOLT, WHEEL, D8X39, SS304
54	PPPFT0039061706000	FOOT ASSY.
55	PPP00FT39241800000	REAR LEG ASSY

56	PPP00FT39261801000	END CAP, REAR LEG
57	PPPFT0006591005009	BUTTON HEAD CAP SCREW, M5X0.8X12L,
59	PPP00FT39231400000	SEAT POST-ANDOIING
60	PPPFT0039061404000	END CAP-FIXED SHAFT, SEAT
61	PPPFT0064910030036	HEX BOLT, M3X0.5X8L, SS304
62	PPPFT0039061309000	FIXED BLOCK
65	PPP00FT39031310000	KNOB, HANDLEBAR
66	PPP00FT66420050000	NL NUT
67	PPP00FT39031502000	SEAT SLIDE, ANDOIZED, LONGER STEM
68	PPPFT0039061502000	END CAP-SEAT SLIDER, SEAT
69	PPPFT0039061503000	INSERT, 14.8X2.5TX310, HDPE
71	PPP00FT39261100000	HANDLE BAR POST, ANDORIZE
74	PPPFT0006742010000	.AP NUT, M10X1.5X18, SS304
75	PPPFT0006542010000	HEX NUT, M10X1.5X8T, SS304
76	PPP00FT3016181200	CUSHION, ADJUST KNOB
77	PPPFT0003116190200	SPRING, ADJUST BOLT, 18.29X13.49X
79	PPPFT0039062405000	SPACER, D18X31, NL + 15GF
80	PPPFT0003564200300	WHEEL SET
82	PPP00FT39241200000	HANDLEBAR ASSY
89	PPP00FT39042501000	BRAKE PAD SET
94	PPPFT3906220900089	CRANK, RIGHT, CHAIN DRIVE, COATING
99	PPP00FT39022350000	BOXED, FLYWHEEL, CHAIN, ASSY
103	PPPFT0039062306000	CAP, FLYWHEEL-RIGHT, PRINT
104	PPPFT0039062305000	CAP, FLYWHEEL-LEFT-PRINT
108	PPPFT0039062310000	SPACER, AXLE
110	PPP00FT60330130025	WASHER, D23.8XD12.5X2.5T, S41, E-CO
111	PPP00FT69220120025	NL, FLANGE, HEX, M12X1.25, SS41, E-
130	PPPFT0039062205000	CHAIN
131	PPPFT0003016162200	TOE STRAP
140	PPP00FT39262401000	COVER, ADJUST KNOB ASSY
141	PPP00FT39162600000	PEDESTAL

142	PPP000FT6441008001	HEXAGON SOCKET HEAD BOLT
143	PPP000FT6581008003	HEXAGON SCKET FLAT HEAD CAP SCREW
151	PPP00FT39062221000	9.5X2.5MM MAGNET
152	PPP00FT39062220000	10X5MM MAGNET
190	PPP000000058232101	CS KIT, SPINNER SEAT SLIDE REPAIR
191	PPP00FT39062004000	COVER, BB
200	PPP00FT39249000000	HARDWARE KIT, SPINNER RIDE